

JASCO[®]

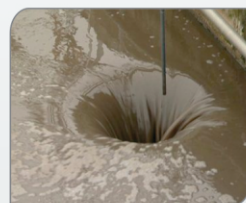
PUMPS

~ SINCE 1988 ~

Reliable And Excellence Through Quality



HORIZONTAL SPLIT CASE PUMP

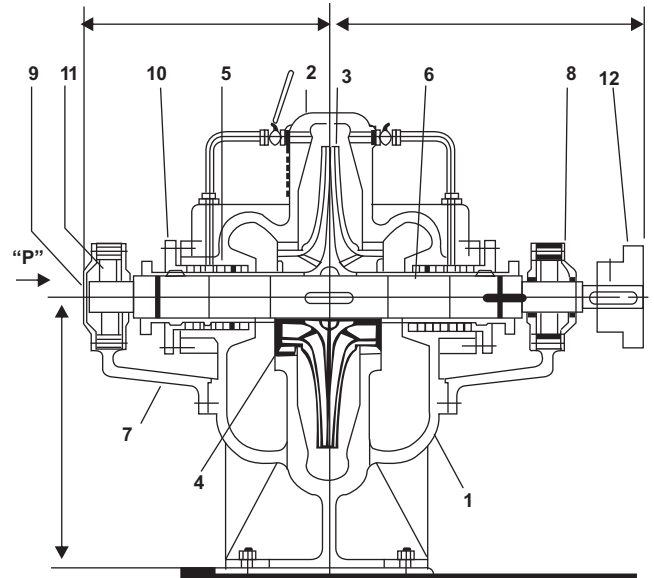


Jasco Horizontal Split Case Pump are engineered to move clear water or low viscosity clear liquids at moderate heads more efficiently and economically than any other type of pump. Precision balancing of all factors in their design provides this efficient operation along with mechanical dependability and low cost maintenance.

Jasco Horizontal Split Case Pump's simplicity of design ensures long, efficient unit life and minimum power consumption, All fabricated parts are standardized and accurately machined for true alignment, increasing overall durability.

Impellers are dynamically balanced and constructed with double inlets, practically eliminating end thrust and resulting in high operating efficiency.

Name Of Parts	Material	Qty.
Casing Lower Half	CI IS 210FG260	01
Casing Upper Half	CI IS 210FG260	01
Impeller	CI IS 210FG260	01
Wear Ring	CI IS 210FG260	01
Shaft Sleeve	CI IS 210FG260	01
Pump Shaft	Carbon Steel IS 1570	01
Bearing Housing	CI IS 210 FG200	01
Bearing Cover	CI IS 210 FG200	02
Glands	CI IS 210 FG200	02
Bearing	SKF or Equi.	02
Coupling	Flexible Coupling	01



- APPLICATION :**
- | | |
|-----------------------------|---------------------------------------|
| 1. Air Conditioning | 7. Ports & Docks |
| 2. Building Services | 8. Sugar Mills |
| 3. Circulating Water System | 9. Oil Mills |
| 4. Fire Fighting | 10. Water Supply Scheme |
| 5. Paper Mills | 11. Water / Effluent Treatment Plants |
| 6. Pharmaceutical | 12. Steel & Cement Plants. |

Note : Due to continuous R&D, M.O.C. & Design are subject to change without prior intimation.

Technical Specification

- Out let size : 62 mm to 500 mm.
 Capacity : 5000 m³ / Hr.
 Head : 150 meters
 Option : (1) Bush Bearing arrangement
 (2) Mechanical seal arrangement
 (3) Bronze / S.S. Construction



JASCO PUMP PVT. LTD.

📍 47, Phase -1, G.I.D.C., Naroda, Ahmedabad-382 330. (Guj.) INDIA.
 ☎ (079) 2282 1240 / 2282 3422 📠 (079) 2282 3398
 ✉ info@jascopump.com 🌐 www.jascopump.com

